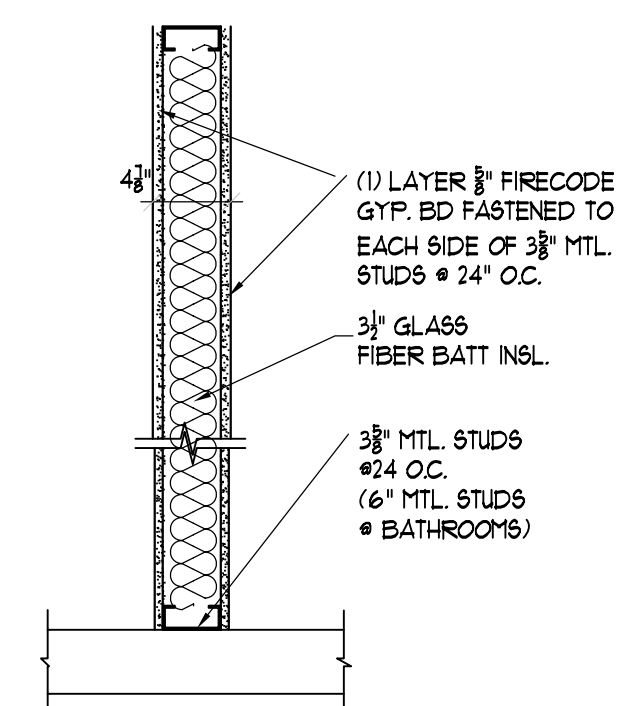
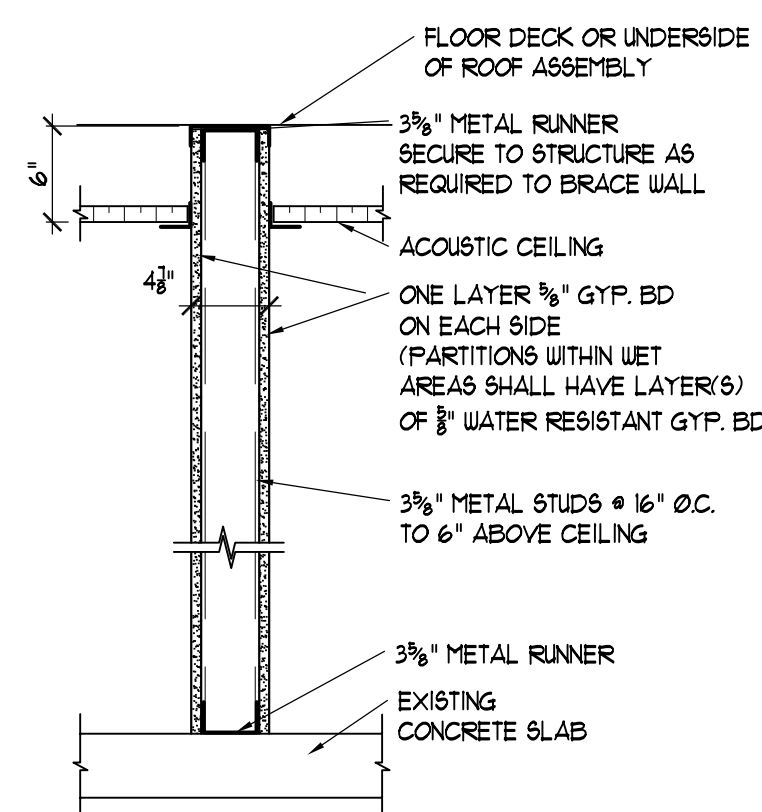


1 FIRST FLOOR
A-101 SCALE: 1/4" = 1'-0"
N



1 STANDARD PARTITION
2 1 HR. FIRE RATING (UL U425) STC 50

• USE PARTITION TYPE 1 UNLESS NOTED OTHERWISE ON PLAN

PARTITION TYPES

NOTICE

This document, the property of, prepared and issued by the architect, is submitted for the specific project name and the recipient by accepting this document assumes custody and agrees that this document will not be copied or reproduced in part or in whole, and any special features peculiar to this design shall not be incorporated in any other project, unless prior agreement has been obtained in writing. These documents will be returned immediately upon completion of the project or upon the request of the architect.

This document is the exclusive property of the architect, no rights to ownership are transferable, or shall be lost by the filing of this document with any and all public authorities for the purpose of compliance with Codes and or Ordinances, i.e. Building Permit, etc.

LAFAYETTE APARTMENTS

585 LAFAYETTE AVE
BUFFALO, NY

FIRST FLOOR & PARTITION TYPES

REVISIONS

1 09-26-06 PER LETTER DATED 9-13-06

CHECKED BY:

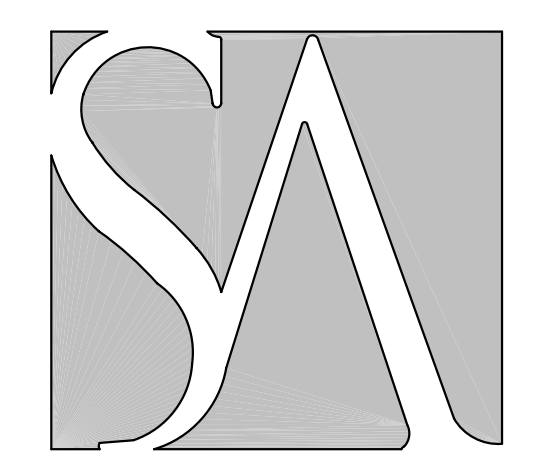
PRINCIPAL _____ SR. ARCH. _____
INTERIORS _____ JR. ARCH. _____

JOB NO.

06065

07-21-06

DATE



SILVESTRI
ARCHITECTS • PC

80 PINEVIEW DRIVE PH. 716.691.0900
AMHERST, NY 14228 FAX 716.691.4773

DRAWING A-101